



Construction Features

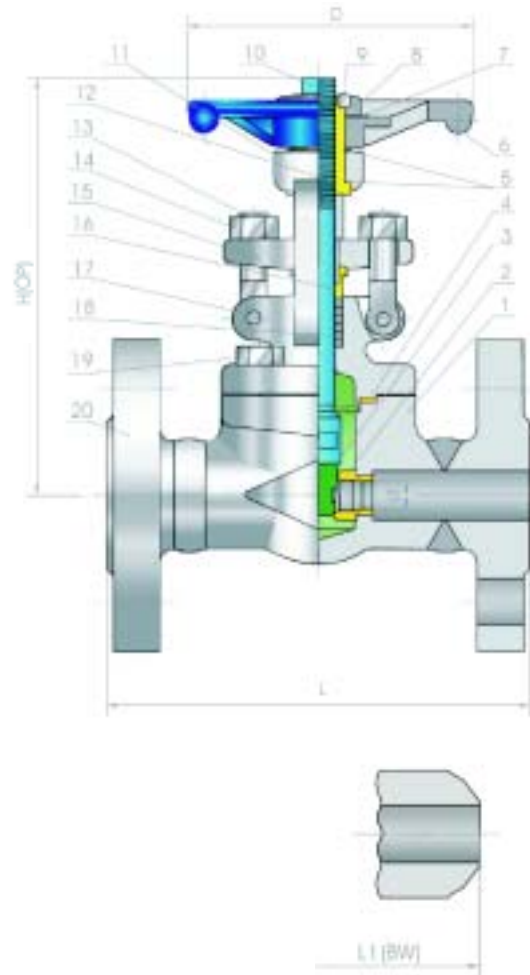
- Bolted bonnet
- OS&Y
- Flanged ends and butt-welding ends
- Rising stem
- Rolled-in seat ring

Standards

- Flanged ends: ASME B16.5
- Butt-welding ends: ASME B16.25
- Face to face: ASME B16.10
- Basic design: API 602、BS 5352
- Inspection and test: API 598

Parts List

No.	Part Name	Material
1	Body	ASTM A105N
2	Seat Ring	A276 410/Stellite Overlay
3	Wedge	ASTM A276 420
4	Gasket	304SS Spiral Wound W/Graphite
5	Washer	ASTM A276 420
6	Hand Wheel	Malleable Iron
7	Nameplate	Aluminum
8	H.W. Lock Nut	ASTM A108 1020
9	Bolt	ASTM A108 1020
10	Stem	ASTM A182 F6a
11	Bonnet	ASTM A105
12	Stem Nut	Aluminum Bronze
13	Eyebolt Nut	ASTM A194 Gr.2H
14	Eyebolt	ASTM A276 410
15	Gland Flange	ASTM A105N
16	Gland	ASTM A276 410
17	Eye Pin	ASTM A276 410
18	Packing	Graphite
19	Bolt	ASTM A193 Gr.B7
20	Flanged	ASTM A105N



- Body material available in F304、F316、F304L、F316L、F11、F22、F5
- Full Port valve available

Dimensions & Weights

Size(in.)	Dim.(mm)						Wt.(Kg)				
	Conv.	d	L & L1			H		D	(RF)		
			150lb	300lb	600lb	150lb/300lb	600lb		150lb	300lb	600lb
1/2		9.5	108	140	165	158	169	100	4.5	4.8	5.9
3/4		12.7	117	152	190	169	197	100	5.2	6.2	7.4
1		17.5	127	165	216	197	236	125	8.2	9.3	10.4
1 1/4		23.8	140	178	229	236	246	160	11.5	14	16.2
1 1/2		28.6	165	190	241	246	283	160	12.5	15.5	17.5
2		36.5	178	216	292	283	320	180	20.3	23.4	28.3



Forged Steel Flange Ends Globe Valves

Class 150/300/600

Construction Features

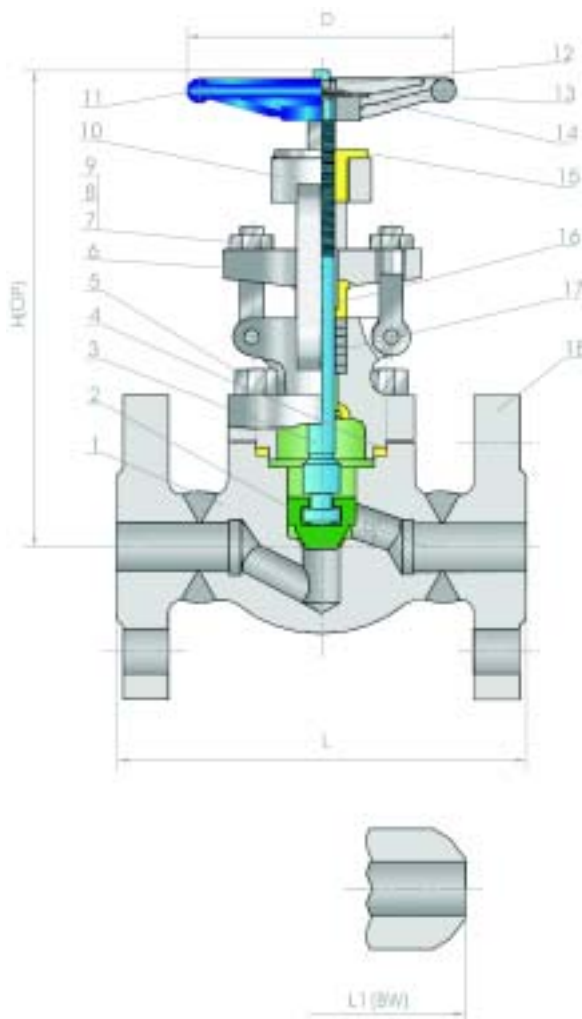
- Bolted bonnet
- OS&Y
- Flanged ends and butt-welding ends
- Rising stem
- Integral HF seat

Standards

- Flanged ends: ASME B16.5
- Butt-welding ends: ASME B16.25
- Face to face: ASME B16.10
- Basic design: API 602, BS 5352
- Inspection and test: API 598

Parts List

No.	Part Name	Material
1	Body	ASTM A105N/Stellite Overlay
2	Disc	ASTM A276 420
3	Stem	ASTM A182 F6a
4	Gasket	304SS Spiral Wound W/Graphite
5	Bolt	ASTM A193 Gr.B7
6	Gland Flange	ASTM A216 Gr. WCB
7	Eyebolt Nut	ASTM A194 Gr.2H
8	Eyebolt	ASTM A276 410
9	Eye Pin	ASTM A276 410
10	Bonnet	ASTM A105N
11	Hand Wheel	Malleable Iron
12	H.W. Lock Nut	ASTM A108 1020
13	Washer	ASTM A276 410
14	Nameplate	Aluminum
15	Stem Nut	Aluminum Bronze
16	Gland	ASTM A276 410
17	Packing	Graphite
18	Flanged	ASTM A105N



- Body material available in F304, F316, F304L, F316L, F11, F22, F5
- Standard port valve available

Dimensions & Weights

Size(in.)	Dim.(mm)							Wt.(Kg)			
	Conv.	d	L & L1			H		D	(RF)		
150lb			300lb	600lb	150lb/300lb	600lb	150lb		300lb	600lb	
1/2		9.0	108	152	165	166	171	100	4.5	4.8	5.6
3/4		12.0	117	178	190	171	207	100	6.9	7.7	7.8
1		17.5	127	203	216	207	240	125	9.8	11.0	12.5
1 1/4		22.5	140	216	229	240	258	160	13.5	16.8	17.0
1 1/2		29.5	165	229	241	258	330	160	19.5	21.2	23.5
2		35.0	203	267	292	330	380	180	28.0	32.6	38.8